

# Studio-G 750

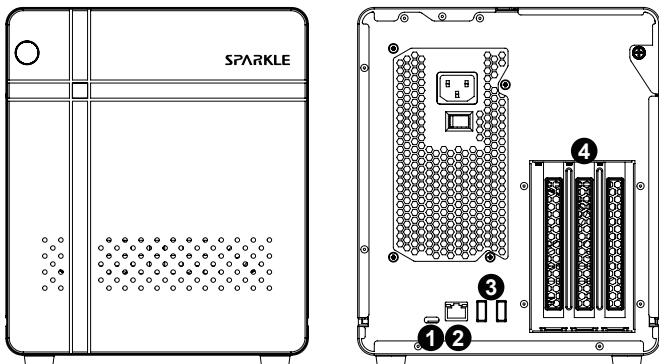
TBX-750FA-V2

## Thunderbolt eGPU BOX Quick Installation Guide

### Package contents

- Studio-G 750 Thunderbolt eGPU BOX x 1
- Power cord x 1
- Thunderbolt™ 3 cable (40Gbps) 0.8M x 1
- Quick installation guide x 1

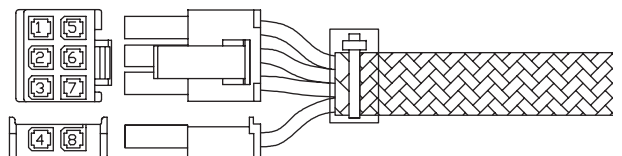
### Device Layout



- 1 Thunderbolt 3 port      3 USB 3.1 Gen1 (Type A) x 2  
2 Gigabit Ethernet      4 Your Graphics Card

### Technical Specs

Model Name	Studio-G 750
Chassis Dimension	403 x 200 x 237 mm
Max graphics card Dimension	346 x 170 x 77 mm
Max graphics card Power	500W
Connectivity	1 x Thunderbolt™ 3 (USB-C) port 1 x internal PCIe (x16) slot with 4 lanes PCI Express 3.0 interface 2 x USB 3.1 Gen1 Type A (5Gbps, 7.5W/port) 1 x Gigabit Ethernet
PD of Thunderbolt port	85W
Internal Power Supply	750W ATX PSU w/ 3 pcs 6+2 pin PCIE connectors
Operating System Requirement	Windows® 10 and above MacOS High sierra 10.13.4 and above
Ethernet	<ul style="list-style-type: none"><li>• Supports Full Duplex flow control (IEEE 802.3x)</li><li>• Fully compatible with IEEE 802.3, IEEE 802.3u, and IEEE 802.3ab</li><li>• Supports IEEE 802.1P Layer 2 Priority Encoding</li><li>• Supports IEEE 802.1Q VLAN tagging</li><li>• Supports IEEE 802.3az-2010 (EEE)</li></ul>

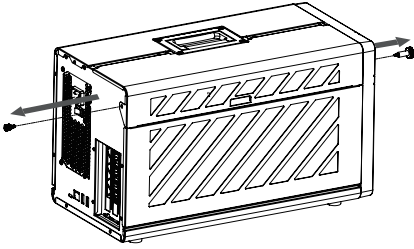


1	+12V	YELLOW	5	COM	BLACK
2	+12V	YELLOW	6	COM	BLACK
3	+12V	YELLOW	7	COM	BLACK
4	COM	BLACK	8	COM	BLACK

# Installation Steps

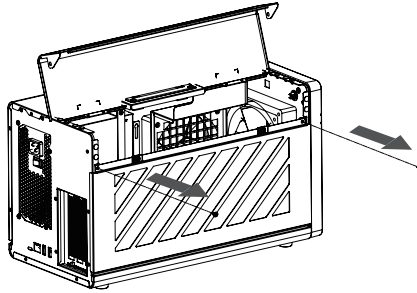
## STEP 1

Undo the thumb screw.



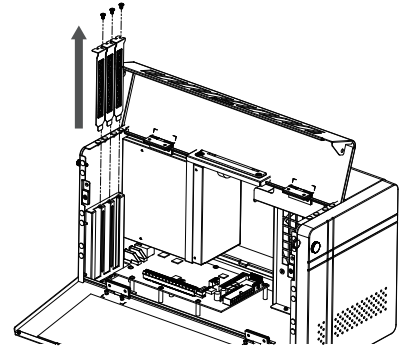
## STEP 2

Open the upper door and remove two screws from lower door.



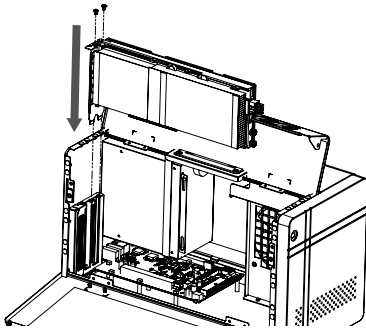
## STEP 3

Undo the thumb screws on the PCIe slots and remove the metal brackets.



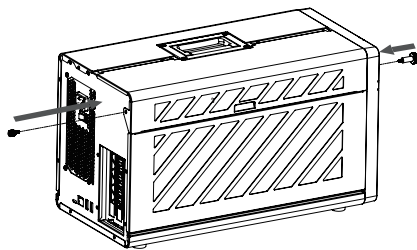
## STEP 4

A. Install your GPU and connect the PCIe power cable to it.  
B. Secure the thumb screws for your GPU.



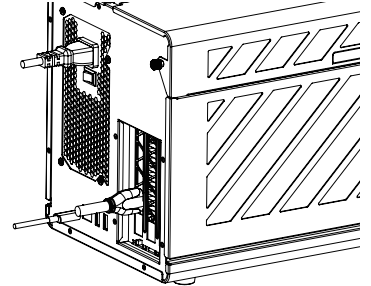
## STEP 5

Close the lower and upper doors and secure the thumb screw.



## STEP 6

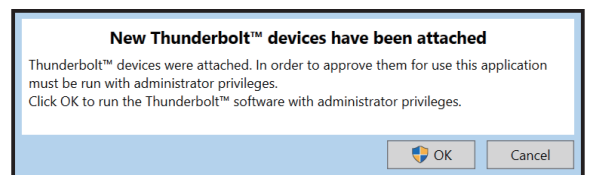
A. Plug the video cable from monitor to your GPU.  
B. Plug the Thunderbolt 3 cable from Studio-G 750 to your host.  
C. Plug power cord to PSU and turn on the PSU switch.



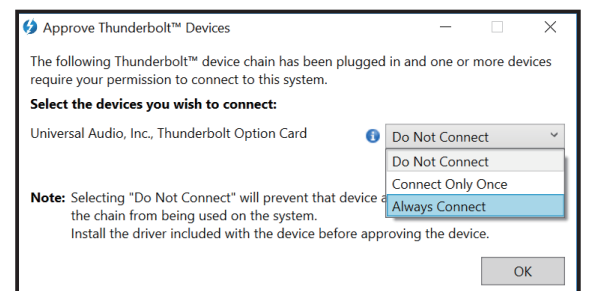
## Hardware Installation & Thunderbolt software settings

1. Plug the power cord to Studio-G 750 Thunderbolt eGPU BOX, connect Thunderbolt™ 3 cable to the laptop, then turn on the switch of Studio-G 750 power supply.

2. Turn on the laptop and when system shows below dialogue, please press "OK".



3. When system shows below dialogue, please select "Always Connect", and press "OK" to finish the setup.



4. Then install the driver of the graphics card.

